

**LED FAN SINKS | ALUMINUM**

**SPECIFICATIONS**

**Overview**

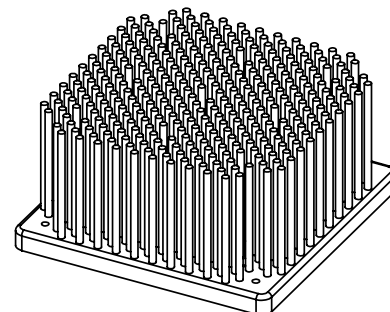
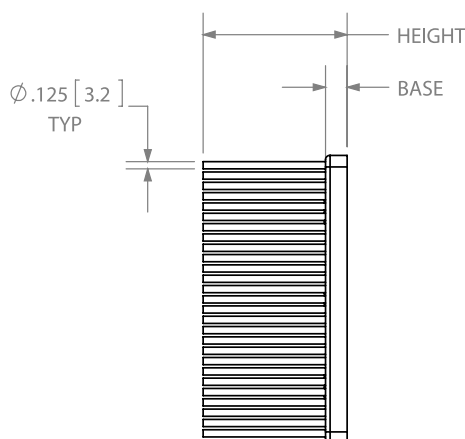
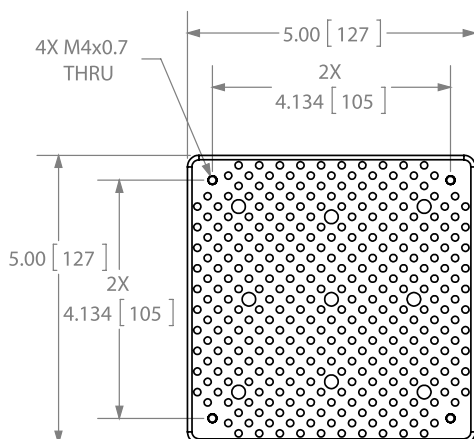
- A great fit for slow (quiet) fans
- Optimal orientation (fan on top)
- Designed for 120mm fans
- Fans (optional)
- RoHS compliant

**Technical**

- Material: Pure Aluminum
- Mfg. process: Cold forging
- Plating options: Black/clear anodize, chemical conversion coating
- Base finish: Lapped  
Flatness: Better than 0.001 in/in  
Surface roughness: 16 RMS

**Flexible Parameters**

- Footprint (length and width)
- Height (pin length & base thickness)
- Single or multiple pins can be eliminated
- Comprehensive machining (holes, threads, clearances, etc.)



**THE PIN FIN APPROACH: Round pin formations produce outstanding cooling power**

P/N	Height in(mm)	Base in(mm)	Weight lb(g)	Thermal Resistance in °C/W		
				75 CFM*	110 CFM	150 CFM
3-505003MFA	0.30(7.6)	0.12(3.0)	0.37(168)	0.35	0.26	0.191
3-505005MFA	0.50(12.7)	0.19(4.8)	0.59(270)	0.27	0.21	0.161
3-505007MFA	0.70(17.8)	0.19(4.8)	0.68(309)	0.22	0.175	0.139
3-505010MFA	1.00(25.4)	0.25(6.4)	0.94(425)	0.183	0.152	0.123
3-505012MFA	1.20(30.5)	0.25(6.4)	1.02(464)	0.164	0.140	0.115
3-505015MFA	1.50(38.1)	0.38(9.5)	1.40(637)	0.152	0.131	0.109
3-505018MFA	1.80(45.7)	0.38(9.5)	1.54(697)	0.136	0.120	0.101
3-505020MFA	2.00(50.8)	0.38(9.5)	1.62(736)	0.128	0.115	0.097
3-505022MFA	2.20(55.9)	0.38(9.5)	1.71(776)	0.122	0.110	0.094
3-505025MFA	2.50(63.5)	0.38(9.5)	1.84(835)	0.114	0.104	0.089

Disclaimer: [www.coolinnovations.com](http://www.coolinnovations.com)

\*Rated CFM