

STANDARD FAN SINKS | ALUMINUM

SPECIFICATIONS

Overview

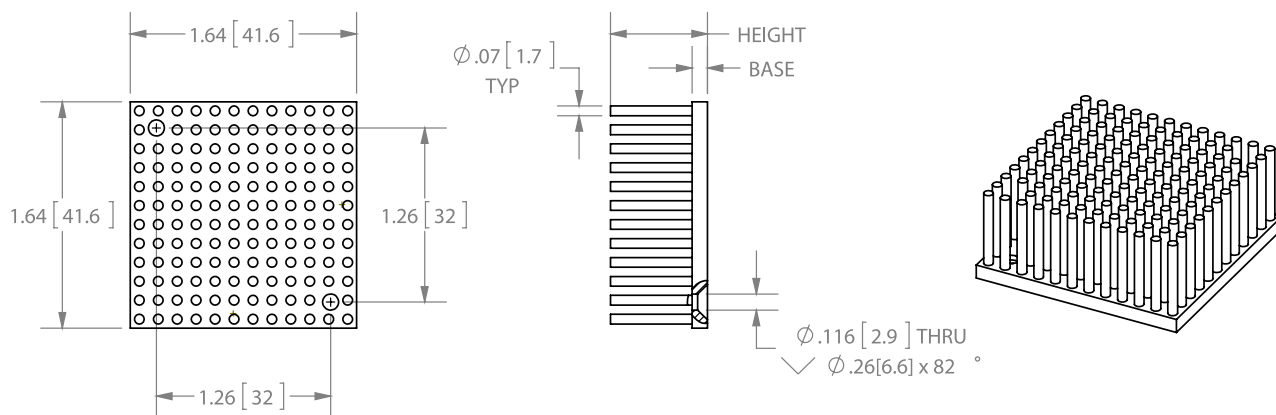
- Provides outstanding cooling power
- Optimal orientation (fan on top)
- Designed for 40mm fans
- Fans (optional)
- RoHS compliant

Technical

- Material: Pure Aluminum
- Mfg. process: Cold forging
- Plating options: Black/clear anodize, chemical conversion coating
- Base finish: Lapped
Flatness: Better than 0.001 in/in
Surface roughness: 16 RMS

Attachment Methods

- Mechanical clips (straight & diagonal)
- Double sided thermal tape
- Attachment tabs
- Push pins
- Holes & threads



A FLEXIBLE APPROACH: Parts can easily be modified to fit any application

| P/N | Height in(mm) | Weight lb(g) | Thermal Resistance in °C/W | | |
|--------------|------------------|-----------------|----------------------------|---------|----------|
| | | | 5.0 CFM* | 7.0 CFM | 11.0 CFM |
| 3-161602UBFA | 0.20(5.1) | 0.034(15) | 2.80 | 2.50 | 2.10 |
| 3-161603UBFA | 0.30(7.6) | 0.039(18) | 2.10 | 1.82 | 1.58 |
| 3-161604UBFA | 0.40(10.2) | 0.044(20) | 1.77 | 1.54 | 1.33 |
| 3-161605UBFA | 0.50(12.7) | 0.050(23) | 1.58 | 1.36 | 1.18 |
| 3-161606UBFA | 0.60(15.2) | 0.055(25) | 1.44 | 1.25 | 1.07 |
| 3-161607UBFA | 0.70(17.8) | 0.061(27) | 1.34 | 1.16 | 0.99 |
| 3-161608UBFA | 0.80(20.3) | 0.066(30) | 1.26 | 1.09 | 0.93 |
| 3-161609UBFA | 0.90(22.9) | 0.071(32) | 1.20 | 1.03 | 0.88 |
| 3-161610UBFA | 1.00(25.4) | 0.077(35) | 1.14 | 0.98 | 0.84 |
| 3-161611UBFA | 1.10(27.9) | 0.082(37) | 1.10 | 0.94 | 0.80 |

Disclaimer: www.coolinnovations.com

*Rated CFM